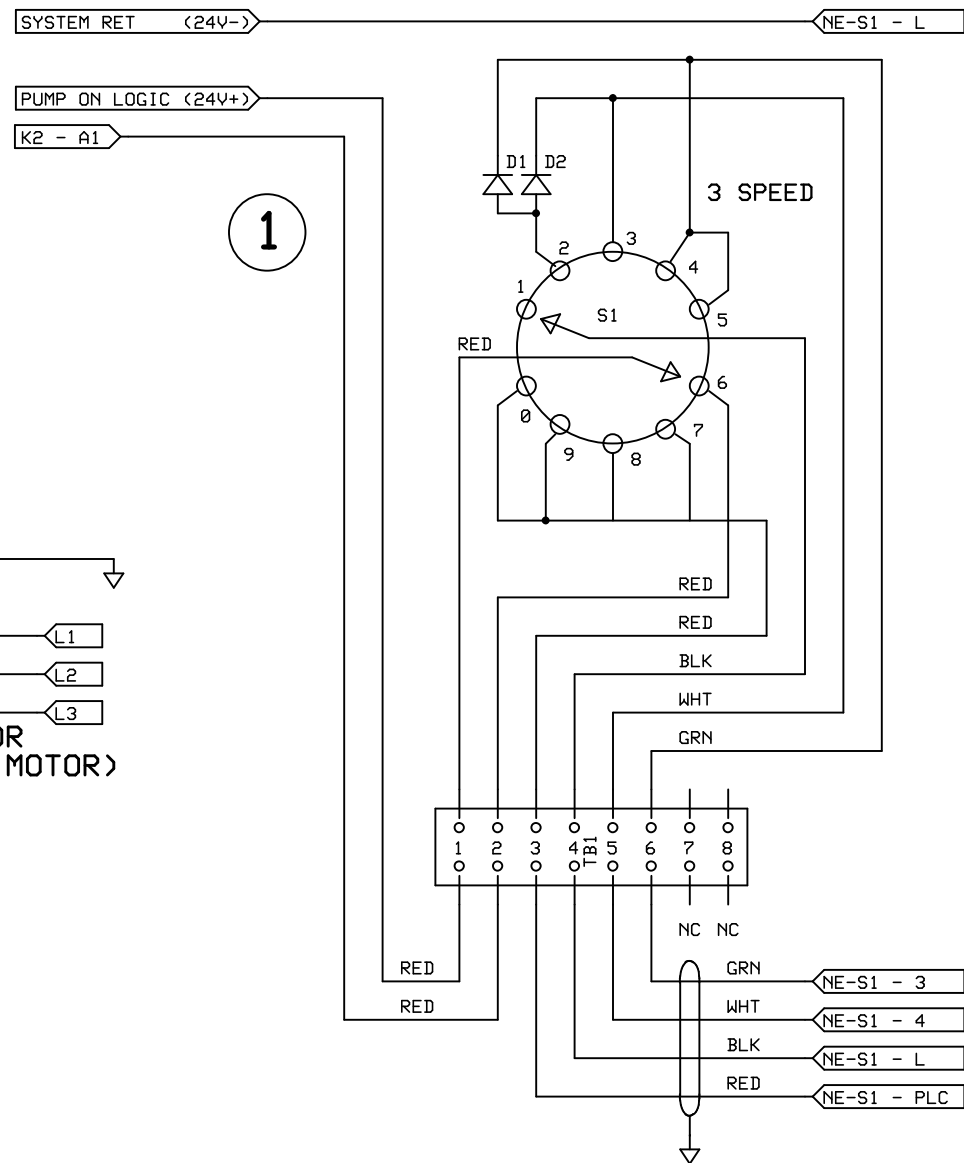
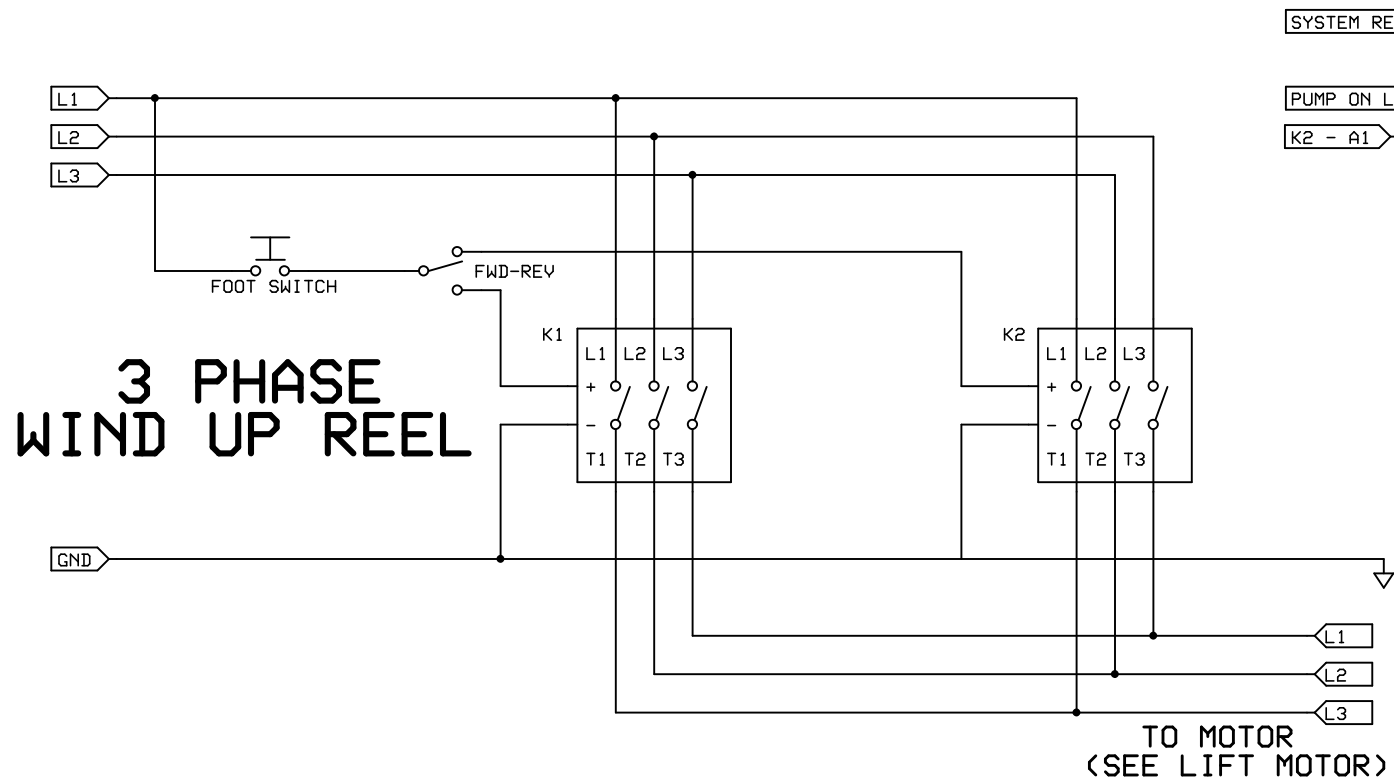
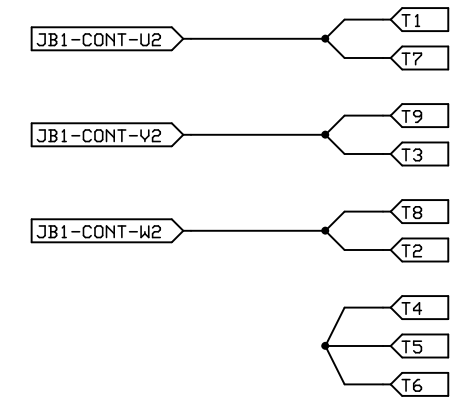


1) ADDED 2 POLE 5 POS ROTARY SWITCH MOD TO ADD AN ALT GEAR PUMP AND HITACHI NE-S1 VFD TO SYSTEM. (LOVE SA) - 20151030

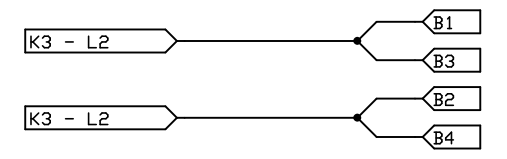
ALT GEAR PUMP MOD (OPTIONAL)



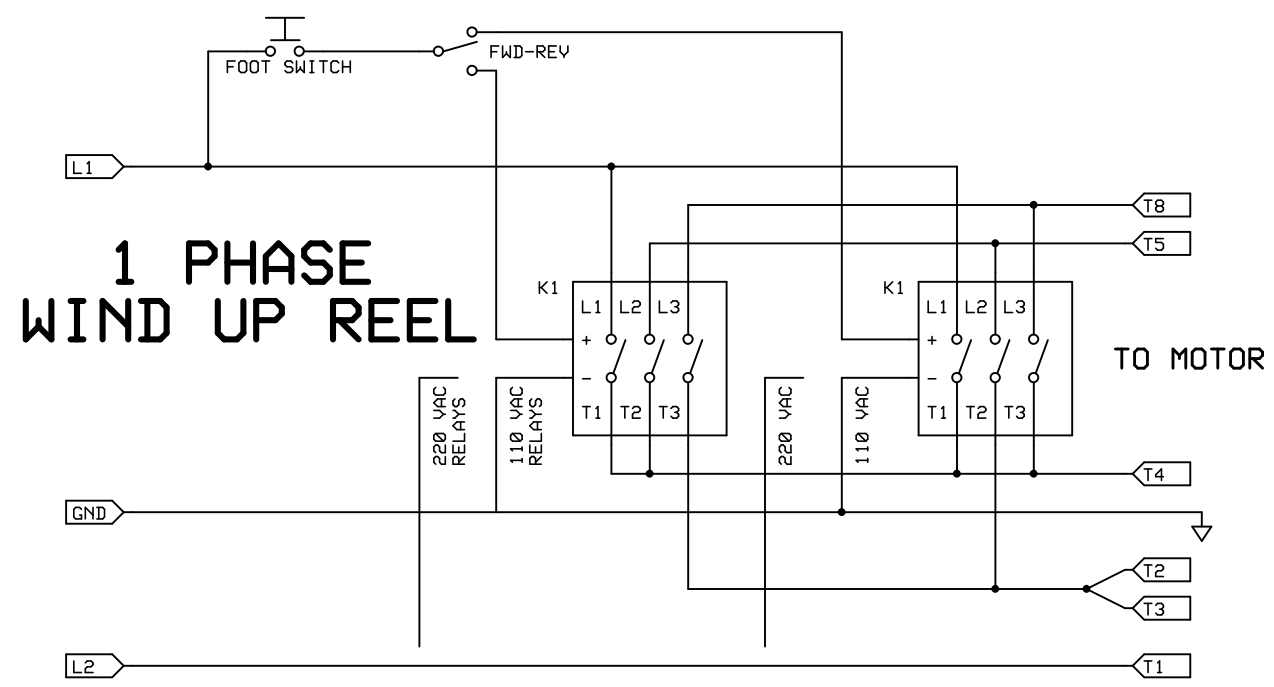
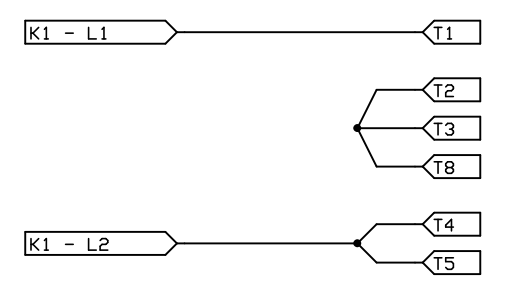
LIFT MOTOR WIRING 3 PHASE



BRAKE WIRING



COMPRESSOR WIRING 1 PHASE



PUMP WIRING 1 PHASE

